

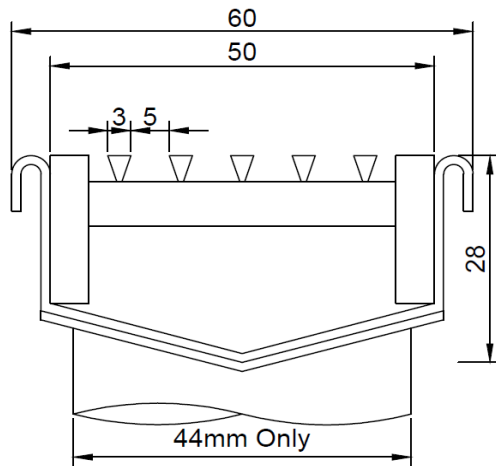
# SPS Heel-Guard Lineal Grate & V-Shaped Channel

**Specification Codes:**

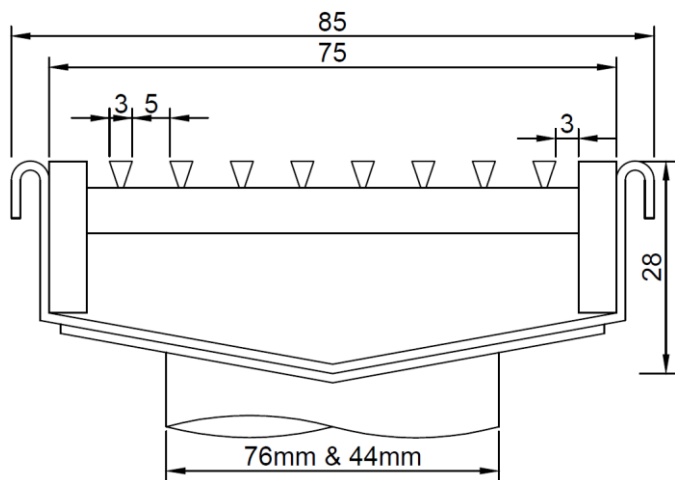
SSVC6028H – 60mm wide x 28mm deep (44mm outlet)  
 SSVC8528H – 85mm wide x 28mm deep (76mm & 44mm outlets)  
 SSVC11028H – 110mm wide x 28mm deep (89mm, 76mm & 44mm outlet)

- Architectural Heel-Guard Grate
- Complete 316SS Assembly
- Can be supplied modular (loose outlets & endcaps)
- V-Channel promotes internal fall.

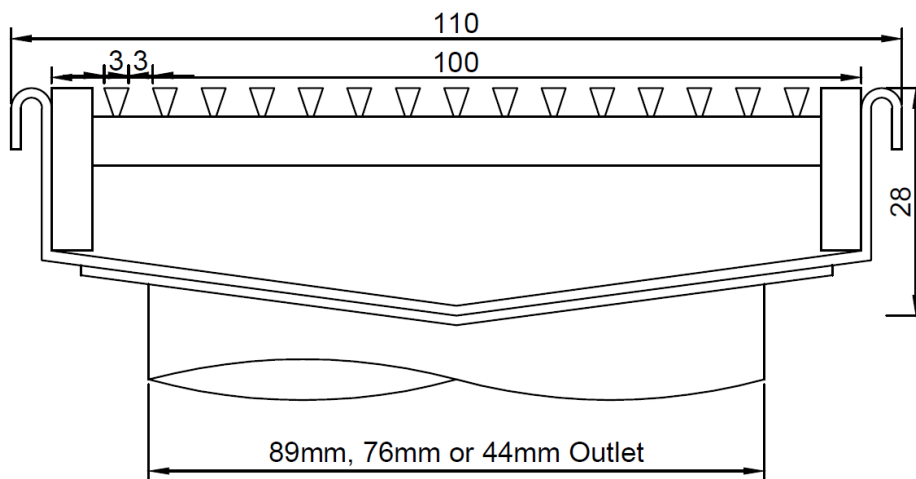
**SSVC6028H:**



**SSVC8528H:**



**SSVC11028H:**



\*DISCLAIMER – All SPS Lineal Grates come with a +/- tolerance of 2mm\*

**Speciality Plumbing Supplies Pty Ltd**

Tel: (02) 9417 1900 Fax: (02) 9417 0108 E-mail: [info@spsdrains.com.au](mailto:info@spsdrains.com.au)