

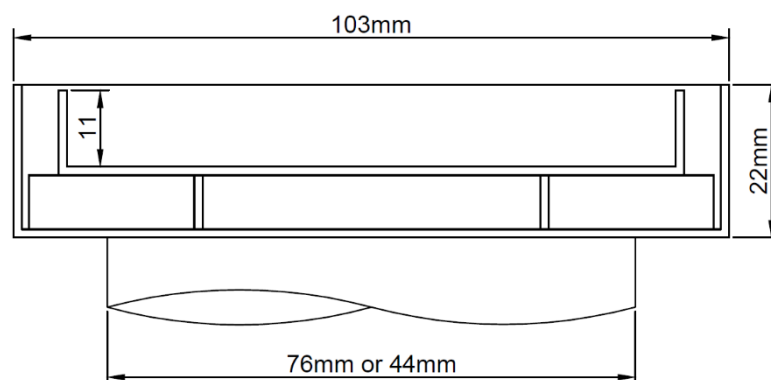
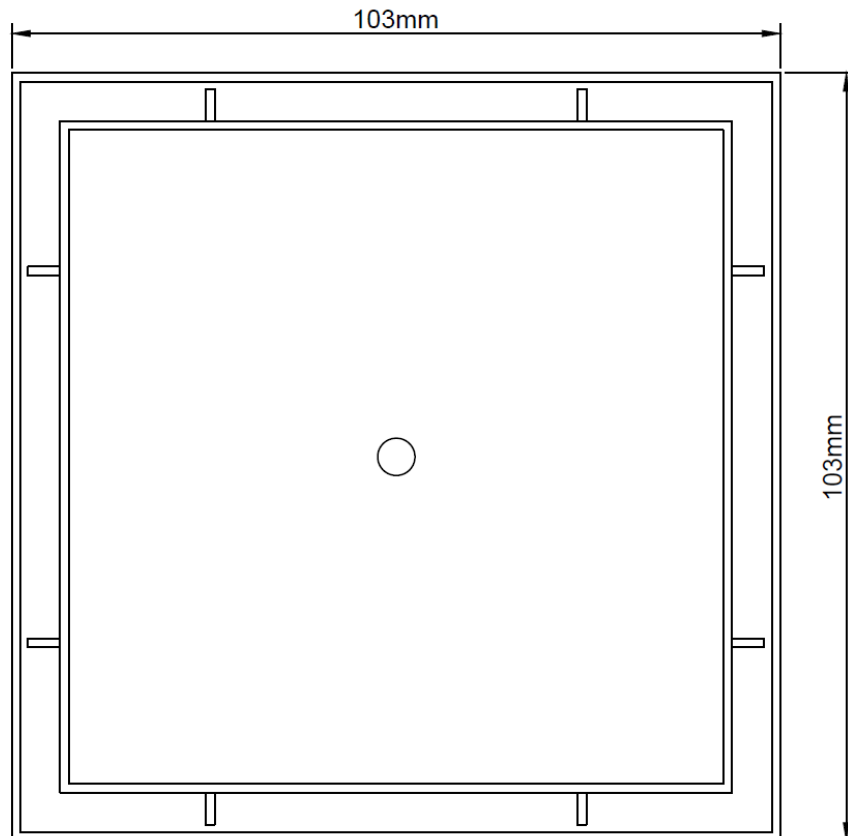
SPS 103mm Tile Insert Point Drain

Specification Codes:

SSP103/44T – 44mm Outlet

SSP103/76T – 76mm Outlet

- Light Duty Only



Speciality Plumbing Supplies Pty Ltd

Tel: (02) 9417 1900 Fax: (02) 9417 0108 E-mail: info@spsdrains.com.au