

SPS Heel-Guard Lineal Grate & Flat Bottom Channel

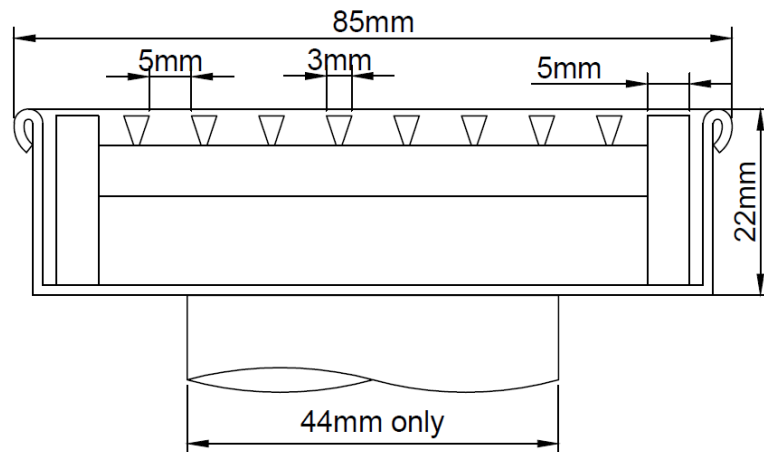
Specification Codes:

SSFB8522H – 85mm wide x 22mm deep (44mm O/L only)

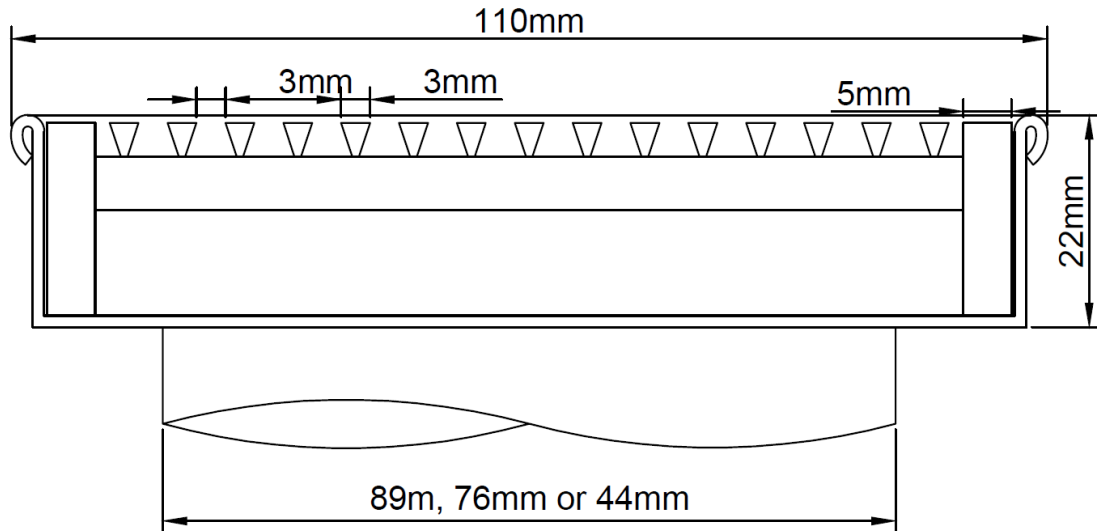
SSFB11022H – 110mm wide x 22mm deep (89mm, 76mm & 44mm O/L Available)

- Architectural Heel-Guard Grate
- Complete 316SS Assembly
- Can be supplied modular (loose outlets & endcaps)

SSFB8522H:



SSFB11022H:



DISCLAIMER – All SPS Lineal Grates come with a +/- tolerance of 2mm

Speciality Plumbing Supplies Pty Ltd

Tel: (02) 9417 1900 Fax: (02) 9417 0108 E-mail: info@spsdrains.com.au